

TAD1371-1375VE

Technical Data

General

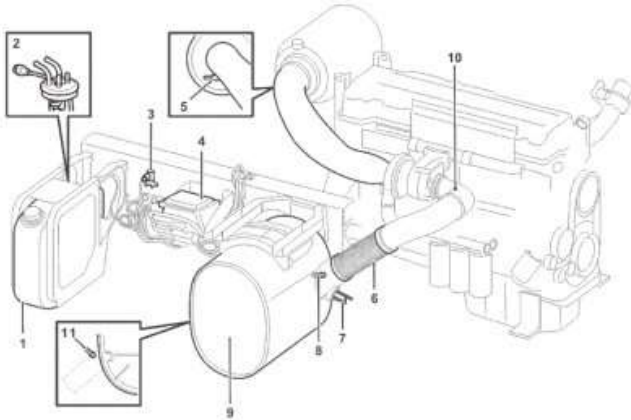
Engine designation TAD1371-1375VE
 No. of cylinders and configuration.....in-line 6
 Method of operation4-stroke
 Bore, mm (in.)..... 131 (5.16)
 Stroke, mm (in.).....158 (6.22)
 Displacement, l (in³).....12.78 (780)
 Wet weight, engine only, kg (lb)..... 1322 (2914.5)

Engine	kW	Hp	rpm	Max Nm
TAD1371VE	285	388	1900	1965
TAD1372VE	315	428	1900	2175
TAD1373VE	345	469	1900	2380
TAD1374VE	375	510	1900	2595
TAD1375VE	405	551	1900	2650

For details see Technical Data

Main components

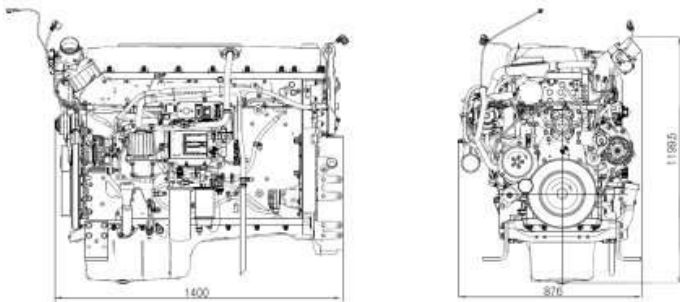
The illustration shows the main components of the aftertreatment system and its piping connections.



- 1 DEF tank
- 2 Urea quality sensor
- 3 Warm-up valve
- 4 Supply Module (SM)
- 5 Temp sensor
- 6 Flexible hose (stainless)
- 7 Dosing Module (DM)
- 8 Temperature sensor
- 9 SCR muffler
- 10 NOx sensor, engine out
- 11 NOx sensor, system out

Dimensions TAD1371-1375VE

Not for installation



Power Standards

The engine performance corresponds to ISO 3046, BS 5514 and DIN 6271. The technical data applies to an engine without cooling fan and operating on a fuel with calorific value of 42.7 MJ/kg (18360 BTU/lb) and a density of 0.84 kg/litre (7.01 lb/US gal, 8.42 lb/Imp gal), also where this involves a deviation from the standards.

