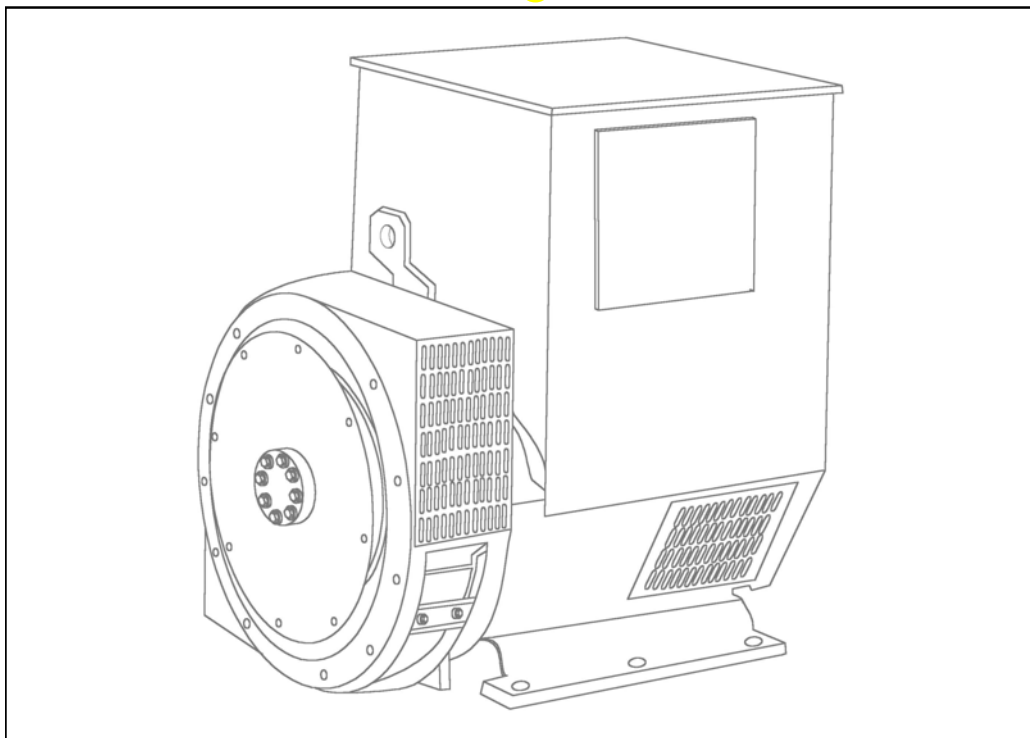


# STAMFORD®

**UCDI274K - Winding 311 Single Phase**

Technical  Data Sheet



## SPECIFICATIONS &amp; OPTIONS

**STANDARDS**

Stamford industrial generators meet the requirements of BS EN 60034 and the relevant section of other international standards such as BS5000, VDE 0530, NEMA MG1-32, IEC34, CSA C22.2-100, AS1359. Other standards and certifications can be considered on request.

**VOLTAGE REGULATORS****SX460 AVR - STANDARD**

With this self excited control system the main stator supplies power via the Automatic Voltage Regulator (AVR) to the exciter stator. The high efficiency semiconductors of the AVR ensure positive build-up from initial low levels of residual voltage.

The exciter rotor output is fed to the main rotor through a three phase full wave bridge rectifier. This rectifier is protected by a surge suppressor against surges caused, for example, by short circuit.

**AS440 AVR**

With this self-excited system the main stator provides power via the AVR to the exciter stator. The high efficiency semi-conductors of the AVR ensure positive build-up from initial low levels of residual voltage.

The exciter rotor output is fed to the main rotor through a three-phase full-wave bridge rectifier. The rectifier is protected by a surge suppressor against surges caused, for example, by short circuit or out-of-phase paralleling.

The AS440 will support a range of electronic accessories, including a 'droop' Current Transformer (CT) to permit parallel operation with other ac generators.

**MX341 AVR**

This sophisticated AVR is incorporated into the Stamford Permanent Magnet Generator (PMG) control system.

The PMG provides power via the AVR to the main exciter, giving a source of constant excitation power independent of generator output. The main exciter output is then fed to the main rotor, through a full wave bridge, protected by a surge suppressor. The AVR has in-built protection against sustained over-excitation, caused by internal or external faults. This de-excites the machine after a minimum of 5 seconds.

An engine relief load acceptance feature can enable full load to be applied to the generator in a single step.

**MX321 AVR**

The most sophisticated of all our AVRs combines all the features of the MX341 with, additionally, over voltage protection built-in and short circuit current level adjustments as an optional facility.

**WINDINGS & ELECTRICAL PERFORMANCE**

All generator stators are wound to 2/3 pitch. This eliminates triplen (3rd, 9th, 15th ...) harmonics on the voltage waveform and is found to be the optimum design for trouble-free supply of non-linear loads. The 2/3 pitch design avoids excessive neutral currents sometimes seen with higher winding pitches, when in parallel with the mains. A fully connected damper winding reduces oscillations during paralleling. This winding, with the 2/3 pitch and carefully selected pole and tooth designs, ensures very low waveform distortion.

**TERMINALS & TERMINAL BOX**

Standard generators are reconnectable with 12 ends brought out to the terminals, which are mounted on a cover at the non-drive end of the generator. A sheet steel terminal box contains the AVR and provides ample space for the customers' wiring and gland arrangements. It has removable panels for easy access.

**SHAFT & KEYS**

All generator rotors are dynamically balanced to better than BS6861:Part 1 Grade 2.5 for minimum vibration in operation. Two bearing generators are balanced with a half key.

**INSULATION/IMPREGNATION**

The insulation system is class 'H'.

All wound components are impregnated with materials and processes designed specifically to provide the high build required for static windings and the high mechanical strength required for rotating components.

**QUALITY ASSURANCE**

Generators are manufactured using production procedures having a quality assurance level to BS EN ISO 9001.

The stated voltage regulation may not be maintained in the presence of certain radio transmitted signals. Any change in performance will fall within the limits of Criteria 'B' of EN 61000-6-2:2001. At no time will the steady-state voltage regulation exceed 2%.

**DE RATES**

All values tabulated on page 8 are subject to the following reductions

5% when air inlet filters are fitted.

3% for every 500 metres by which the operating altitude exceeds 1000 metres above mean sea level.

3% for every 5 C by which the operational ambient temperature exceeds 40 C.

Note: Requirement for operating in an ambient exceeding 60 C must be referred to the factory.

*NB Continuous development of our products entitles us to change specification details without notice, therefore they must not be regarded as binding.*

*Front cover drawing typical of product range.*

APPROVED DOCUMENT

## UCDI274K

**STAMFORD****WINDING 311 Single Phase**

CONTROL SYSTEM	SEPARATELY EXCITED BY P.M.G.		
A.V.R.	MX321	MX341	
VOLTAGE REGULATION	± 0.5 %	± 1.0 %	With 4% ENGINE GOVERNING
SUSTAINED SHORT CIRCUIT	REFER TO SHORT CIRCUIT DECREMENT CURVES (page 7)		

CONTROL SYSTEM	SELF EXCITED		
A.V.R.	SX460	AS440	
VOLTAGE REGULATION	± 1.0 %	± 1.0 %	With 4% ENGINE GOVERNING
SUSTAINED SHORT CIRCUIT	SERIES 4 CONTROL DOES NOT SUSTAIN A SHORT CIRCUIT CURRENT		

INSULATION SYSTEM	CLASS H		
PROTECTION	IP23		
RATED POWER FACTOR	0.8		
STATOR WINDING	DOUBLE LAYER CONCENTRIC		
WINDING PITCH	TWO THIRDS		
WINDING LEADS	12		
STATOR WDG. RESISTANCE	0.008 Ohms AT 22°C DOUBLE DELTA CONNECTED		
ROTOR WDG. RESISTANCE	2.08 Ohms at 22°C		
EXCITER STATOR RESISTANCE	20 Ohms at 22°C		
EXCITER ROTOR RESISTANCE	0.091 Ohms PER PHASE AT 22°C		
R.F.I. SUPPRESSION	BS EN 61000-6-2 & BS EN 61000-6-4, VDE 0875G, VDE 0875N. refer to factory for others		
WAVEFORM DISTORTION	NO LOAD < 1.5% NON-DISTORTING LINEAR LOAD < 5.0%		
MAXIMUM OVERSPEED	2250 Rev/Min		
BEARING DRIVE END	BALL. 6315-2RS (ISO)		
WEIGHT COMP. GENERATOR	727 kg		
WEIGHT WOUND STATOR	304 kg		
WEIGHT WOUND ROTOR	272.6 kg		
WR <sup>2</sup> INERTIA	2.3934 kgm <sup>2</sup>		
SHIPPING WEIGHTS in a crate	740 kg		
PACKING CRATE SIZE	123 x 67 x 103(cm)		

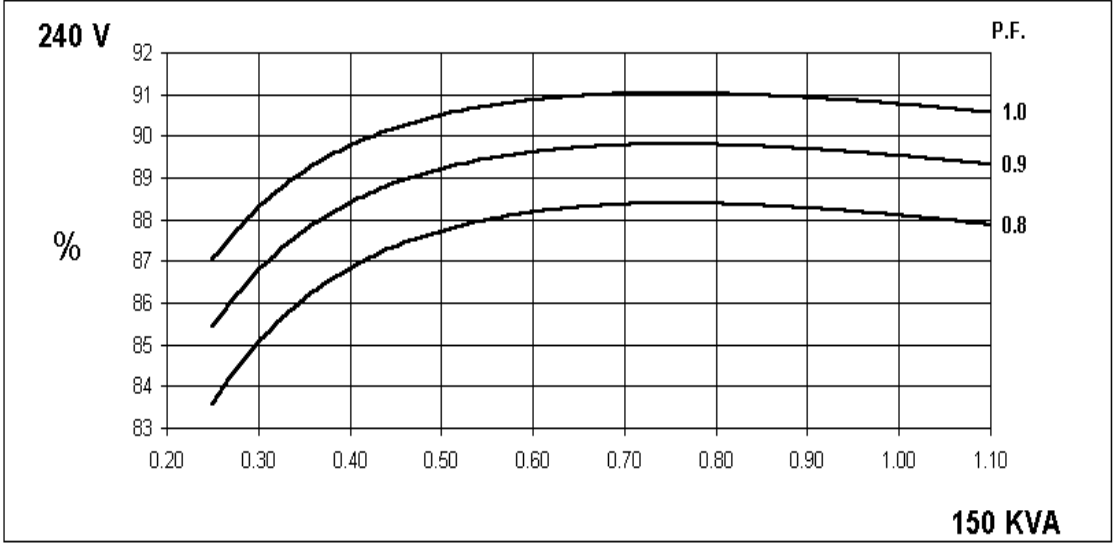
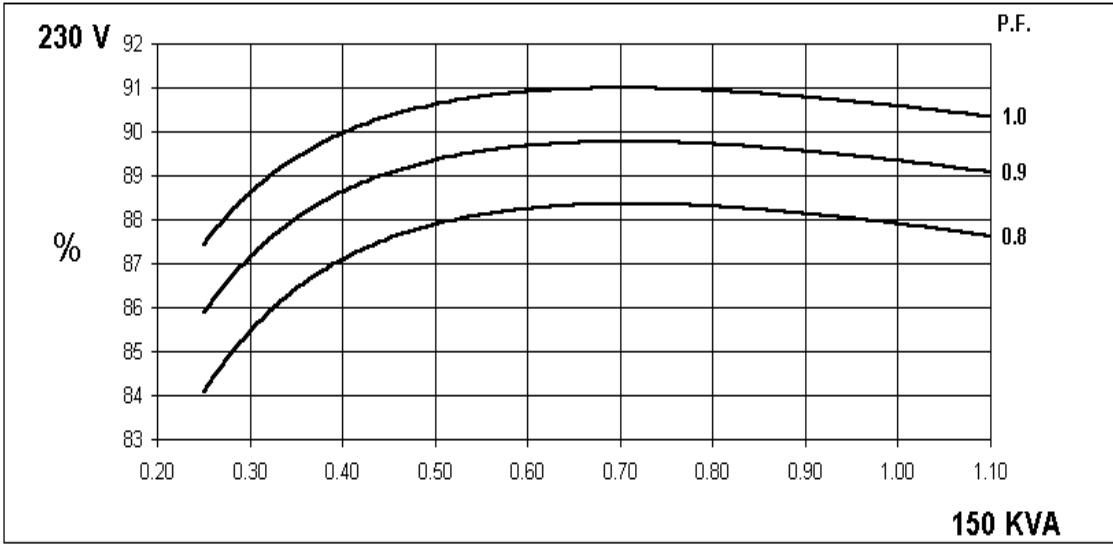
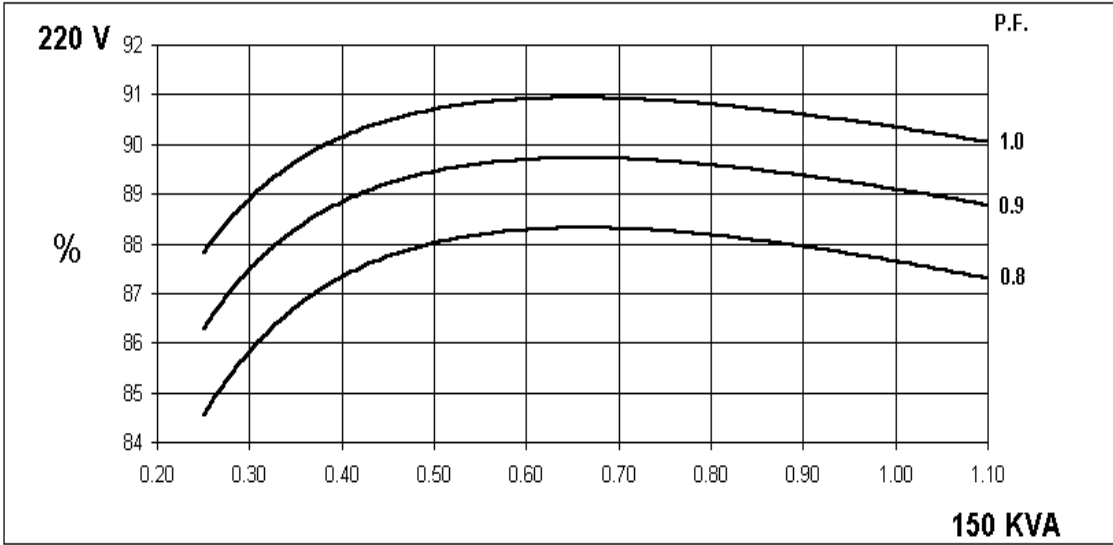
	50 Hz			60 Hz		
TELEPHONE INTERFERENCE	THF < 2%			TIF < 50		
COOLING AIR	0.58 m <sup>3</sup> /sec 1230 cfm			0.69 m <sup>3</sup> /sec 1463 cfm		
VOLTAGE DOUBLE DELTA	220/110	230/115	240/120	220/110	230/115	240/120
VOLTAGE PARALLEL DELTA	110	115	120	110	115	120
KVA BASE RATING FOR REACTANCE VALUES	150	150	150	155	166	175
X <sub>d</sub> DIR. AXIS SYNCHRONOUS	2.52	2.30	2.12	2.99	2.93	2.84
X' <sub>d</sub> DIR. AXIS TRANSIENT	0.12	0.11	0.10	0.14	0.14	0.13
X'' <sub>d</sub> DIR. AXIS SUBTRANSIENT	0.08	0.07	0.07	0.09	0.09	0.09
X <sub>q</sub> QUAD. AXIS REACTANCE	1.13	1.03	0.95	1.34	1.31	1.27
X'' <sub>q</sub> QUAD. AXIS SUBTRANSIENT	0.14	0.12	0.11	0.16	0.16	0.15
X <sub>L</sub> LEAKAGE REACTANCE	0.06	0.05	0.05	0.07	0.07	0.07
X <sub>2</sub> NEGATIVE SEQUENCE	0.11	0.10	0.09	0.13	0.12	0.12
X <sub>0</sub> ZERO SEQUENCE	0.02	0.02	0.02	0.02	0.02	0.02
REACTANCES ARE SATURATED			VALUES ARE PER UNIT AT RATING AND VOLTAGE INDICATED			
T' <sub>d</sub> TRANSIENT TIME CONST.	0.049 s					
T'' <sub>d</sub> SUB-TRANSTIME CONST.	0.02 s					
T' <sub>do</sub> O.C. FIELD TIME CONST.	1.27 s					
T <sub>a</sub> ARMATURE TIME CONST.	0.018 s					
SHORT CIRCUIT RATIO	1/X <sub>d</sub>					

50  
Hz

**STAMFORD**

UCDI274K  
Winding 311 Single Phase

**SINGLE PHASE EFFICIENCY CURVES**

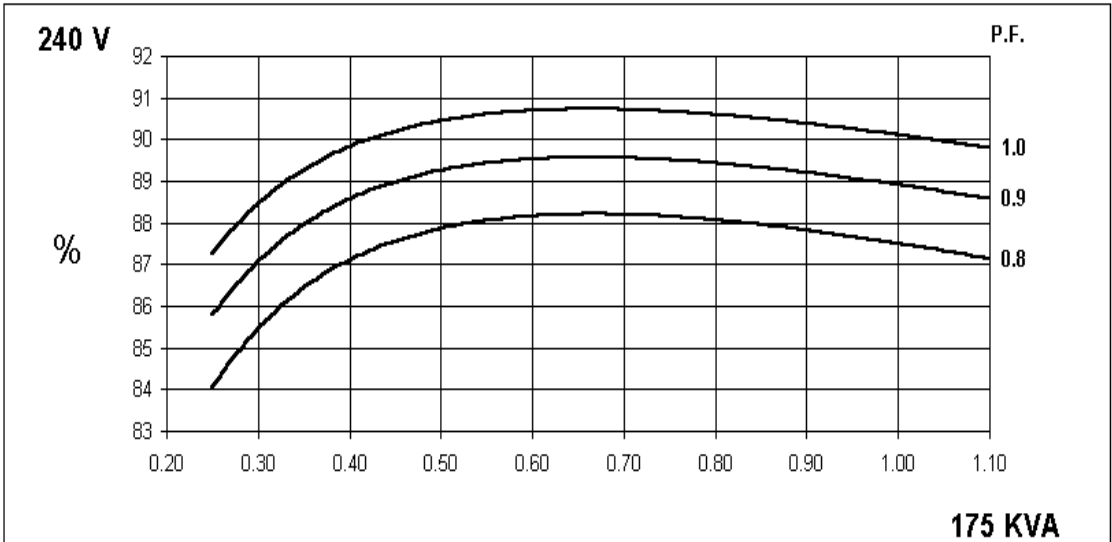
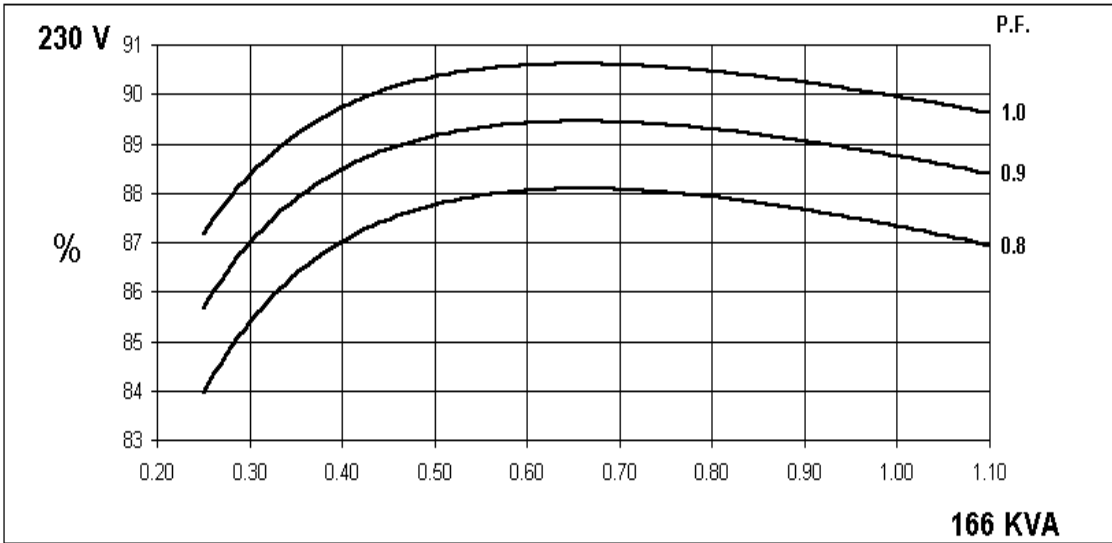
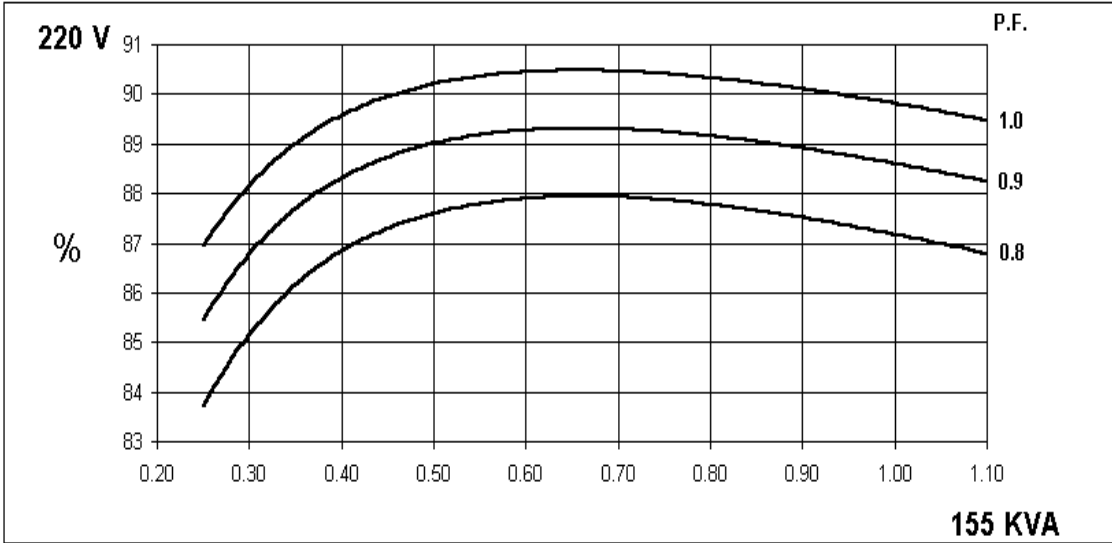


60  
Hz

**STAMFORD**

UCDI274K  
Winding 311 Single Phase

**SINGLE PHASE EFFICIENCY CURVES**



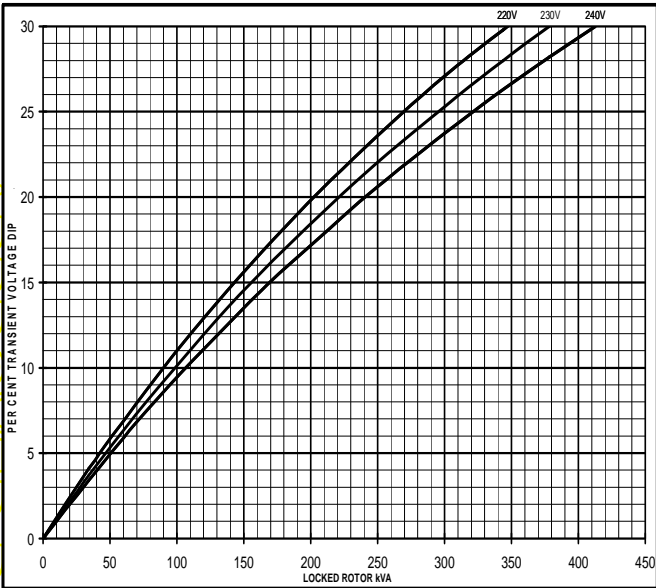
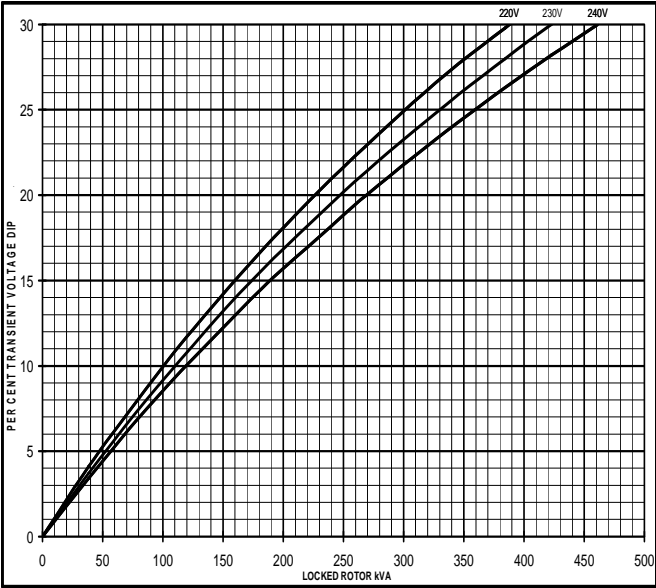
UCDI274K  
Winding 311 Single Phase

Locked Rotor Motor Starting Curve

50  
Hz

MX

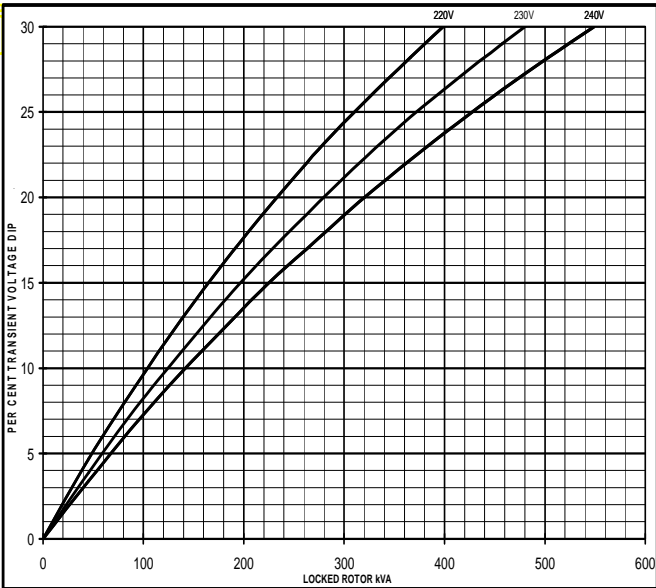
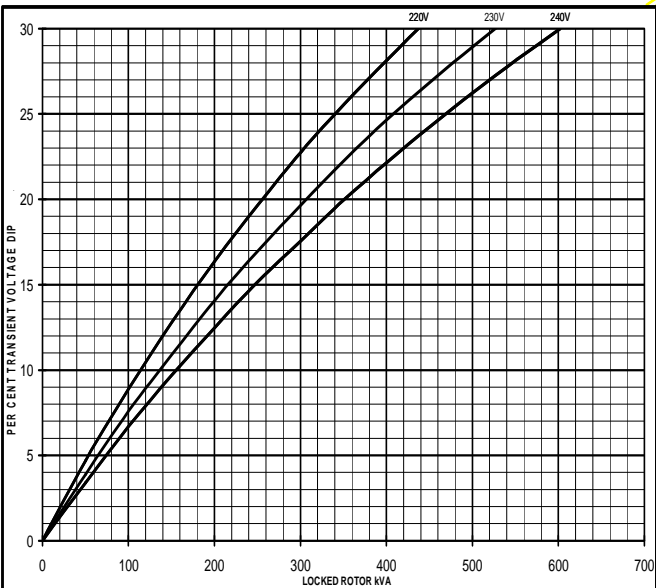
SX



60  
Hz

MX

SX



APPROVED DOCUMENT

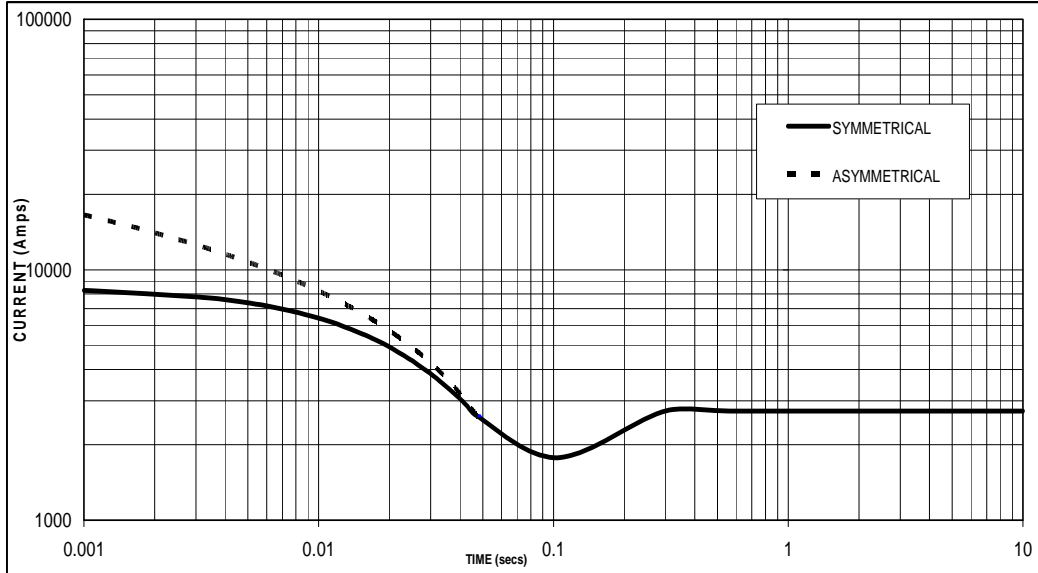
# UCDI274K

**STAMFORD**

## Winding 311 Single Phase

### Single Phase Short Circuit Decrement Curve. No-load Excitation at Rated Speed Based on Double Delta connection.

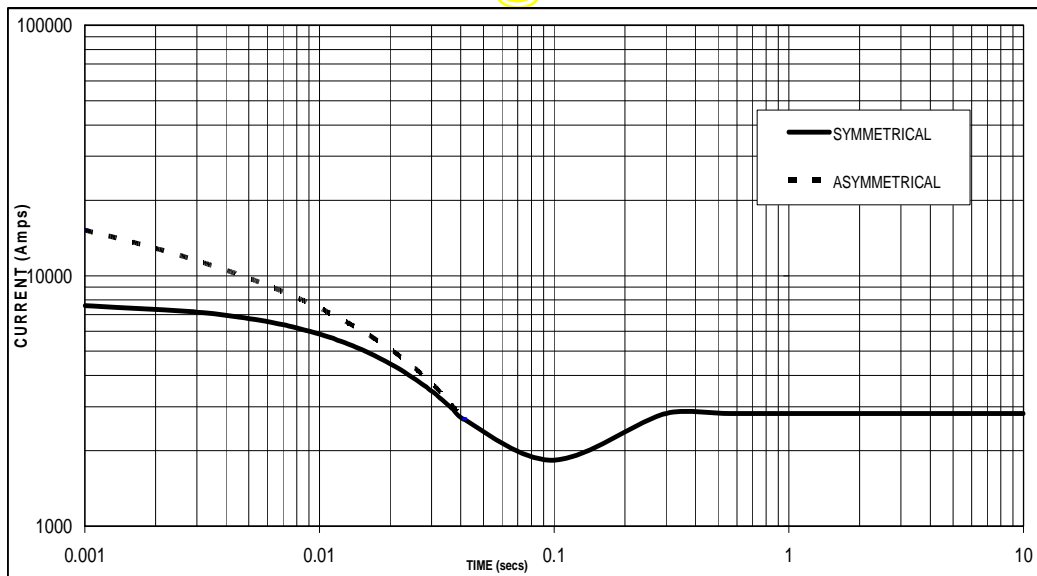
50  
Hz



Sustained Short Circuit = 2730 Amps

VED

60  
Hz



Sustained Short Circuit = 2820 Amps

**Note**

The following multiplication factors should be used to adjust the values from curve between time 0.001 seconds and the minimum current point in respect of nominal operating voltage :

Voltage	Factor
220V	X 1.00
230V	X 1.05
240V	X 1.09

The sustained current value is constant irrespective of voltage level

# UCDI274K



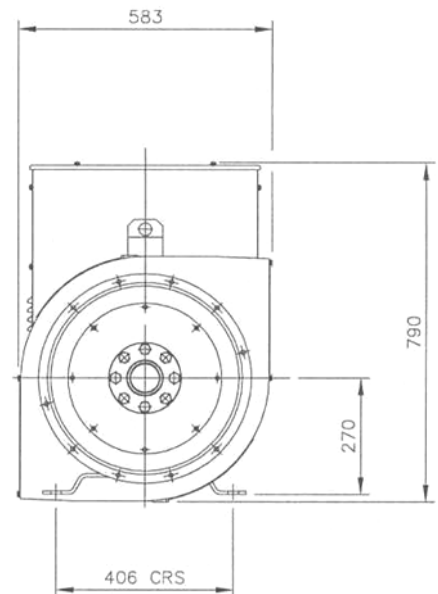
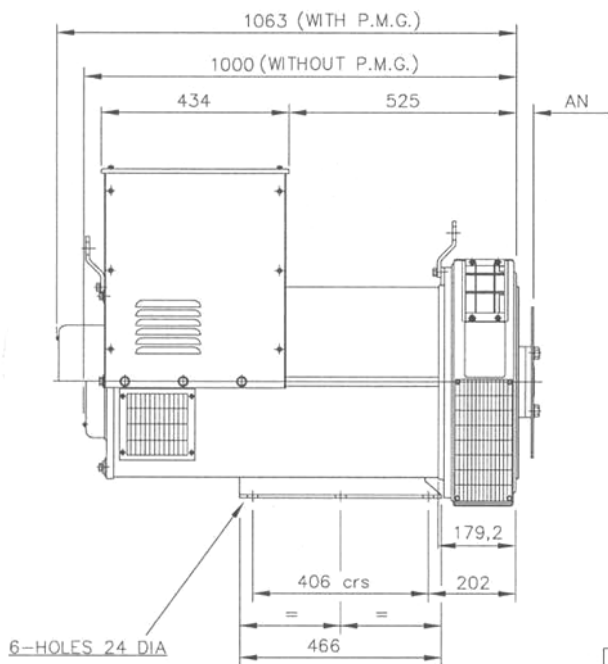
## Winding 311 Single Phase

### RATINGS

Class - Temp Rise	Cont. F - 105/40°C			Cont. H - 125/40°C			Cont. F - 105/40°C			Cont. H - 125/40°C			
	0.8pf			0.8pf			1.0pf			1.0pf			
<b>50</b>	Double Delta (V)	220	230	240	220	230	240	220	230	240	220	230	240
	Parallel Delta (V)	110	115	120	110	115	120	110	115	120	110	115	120
	kVA	137.0	137.0	137.0	150.0	150.0	150.0	137.0	137.0	137.0	150.0	150.0	150.0
	kW	109.6	109.6	109.6	120.0	120.0	120.0	137.0	137.0	137.0	150.0	150.0	150.0
	Efficiency (%)	87.9	88.1	88.3	87.6	87.9	88.1	90.6	90.8	90.9	90.3	90.6	90.8
	kW Input	124.7	124.4	124.1	137.0	136.5	136.2	151.2	150.9	150.7	166.1	165.6	165.2

Class - Temp Rise	Cont. F - 105/40°C			Cont. H - 125/40°C			Cont. F - 105/40°C			Cont. H - 125/40°C			
	0.8pf			0.8pf			1.0pf			1.0pf			
<b>60</b>	Double Delta (V)	220	230	240	220	230	240	220	230	240	220	230	240
	Parallel Delta (V)	110	115	120	110	115	120	110	115	120	110	115	120
	kVA	142.0	151.0	160.0	155.0	166.0	175.0	142.0	151.0	160.0	155.0	166.0	175.0
	kW	113.6	120.8	128.0	124.0	132.8	140.0	142.0	151.0	160.0	155.0	166.0	175.0
	Efficiency (%)	87.5	87.6	87.8	87.2	87.3	87.5	90.1	90.2	90.4	89.8	90.0	90.1
	kW Input	129.8	137.9	145.8	142.2	152.1	160.0	157.6	167.4	177.0	172.6	184.4	194.2

### DIMENSIONS



COUPLING DISC	AN
SAE 11,5	39,68
SAE 14	25,4



APPROVED DOCUMENT

## **STAMFORD**

Head Office Address:  
Barnack Road, Stamford  
Lincolnshire, PE9 2NB  
United Kingdom  
Tel: +44 (0) 1780 484000  
Fax: +44 (0) 1780 484100

[www.cumminsgeneratortechnologies.com](http://www.cumminsgeneratortechnologies.com)

Copyright 2010, Cummins Generator Technologies Ltd, All Rights Reserved  
Stamford and AvK are registered trade marks of Cummins Generator Technologies Ltd  
Cummins and the Cummins logo are registered trade marks of Cummins Inc.

